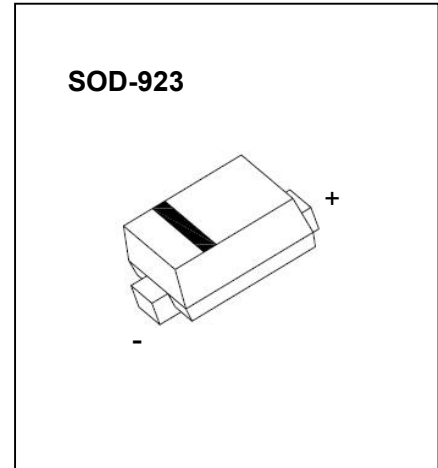


CSD520S923 Schottky barrier diode

FEATURES

- Low reverse current and low forward voltage
- High reliability



Maximum Ratings (Ta=25°C)

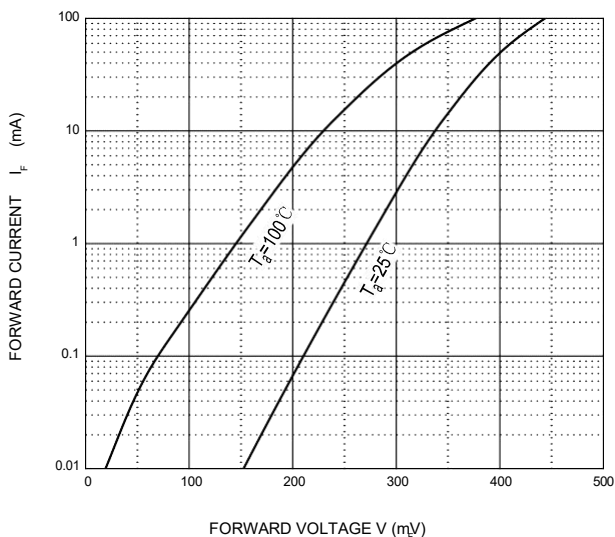
Parameter	Symbol	Limit	Unit
DC reverse voltage	V_R	30	V
Mean rectifying current	I_o	100	mA
Peak forward surge current @t=8.3ms	I_{FSM}	0.5	A
Power dissipation	P_D	100	mW
Thermal Resistance Junction to Ambient	$R_{\theta JA}$	1000	°C/W
Junction temperature	T_j	125	°C
Storage temperature	T_{stg}	-55~+150	°C

Electrical characteristic (Ta=25°C)

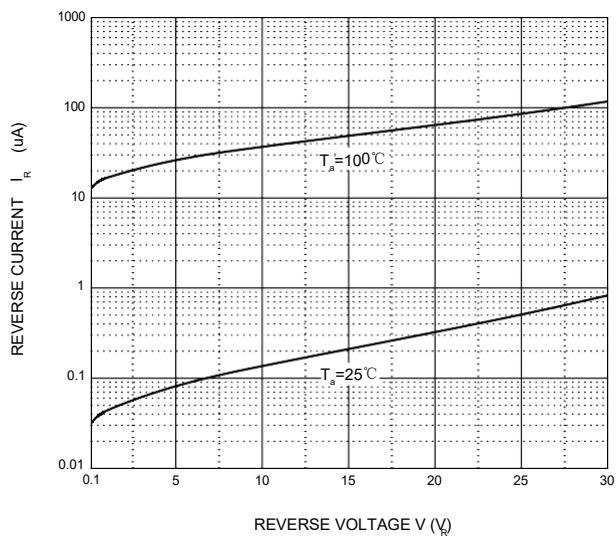
Parameter	Symbol	Min	Typ	Max	Unit	Conditions
Forward voltage	V_{F1}			0.45	V	$I_{F1}=10mA$
	V_{F2}			0.6		$I_{F2}=100mA$
Reverse current	I_R			0.5	μA	$V_R=10V$

Typical Characteristics

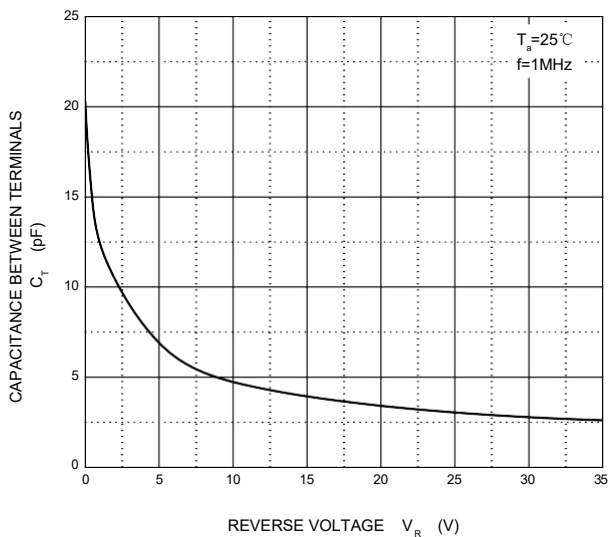
Forward Characteristics



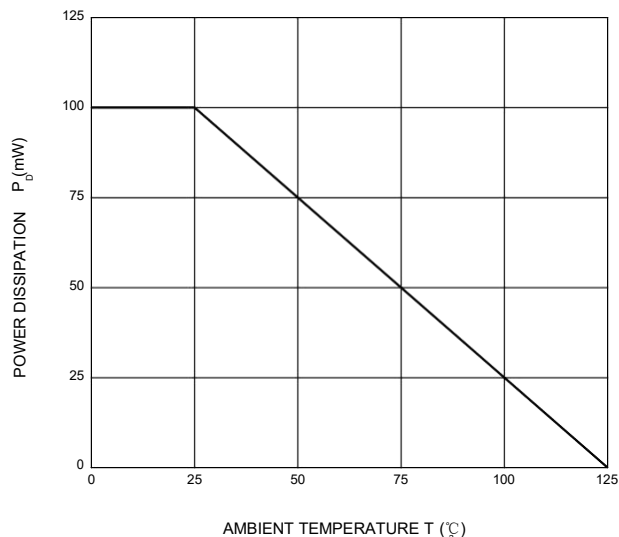
Reverse Characteristics



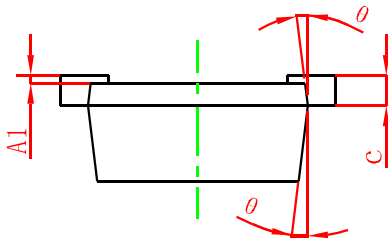
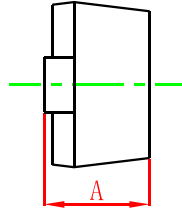
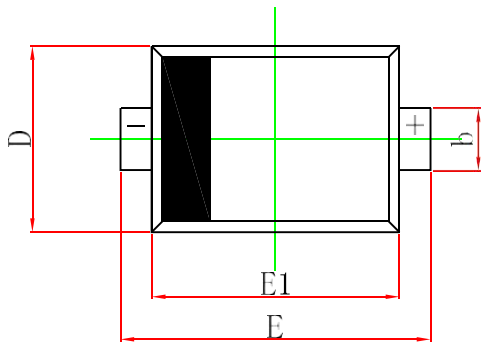
Capacitance Characteristics



Power Derating Curve

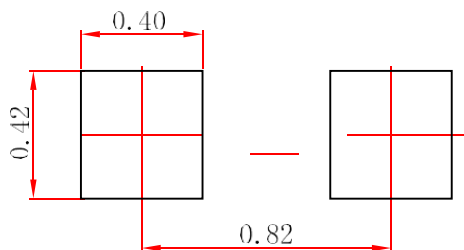


SOD-923 Package Outline Dimensions



Symbol	Dimensions In Millimeters		Dimensions In Inches	
	Min.	Max.	Min.	Max.
A	0.350	0.430	0.014	0.017
A1	0.000	0.050	0.000	0.002
b	0.170	0.270	0.007	0.011
c		0.150		0.006
D	0.550	0.650	0.022	0.026
E	0.900	1.100	0.035	0.043
E1	0.750	0.850	0.030	0.033
θ	7° REF.		7° REF.	

SOD-923 Suggested Pad Layout



Note:

1. Controlling dimension: in millimeters.
2. General tolerance: ± 0.05 mm.
3. The pad layout is for reference purposes only.

Notice

Specifications of the products displayed herein are subject to change without notice. CCS or anyone on its behalf, assumes no responsibility or liability for any errors or inaccuracies.

Information contained herein is intended to provide a product description only. No license, express or implied, to any intellectual property rights is granted by this document. Except as provided in CCS terms and conditions of sale for such products, CCS assumes no liability whatsoever, and disclaims any express or implied warranty, relating to sale and/or use of CCS products including liability or warranties relating to fitness for a particular purpose, merchant ability, or infringement of any patent, copyright, or other intellectual property right.

The products shown herein are not designed for use in medical, life-saving, or life-sustaining applications.

Customers using or selling these products for use in such applications do so at their own risk and agree to fully indemnify CCS for any damages resulting from such improper use or sale.